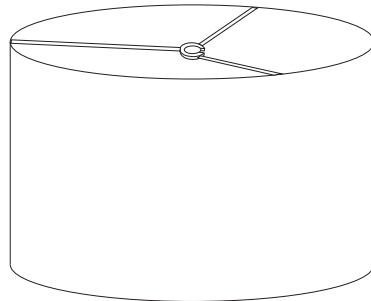
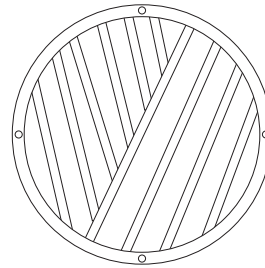


PRIOR TO START RE-INSTALLATION OF REPLACEMENT SHADE FOR THE 247431_347441 FIXTURE PLEASE FOLLOW BELOW INSTRUCTION TO COMPLETE THE PRODUCT:-

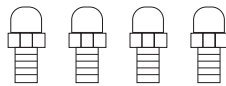
Parts:



(A) Shade



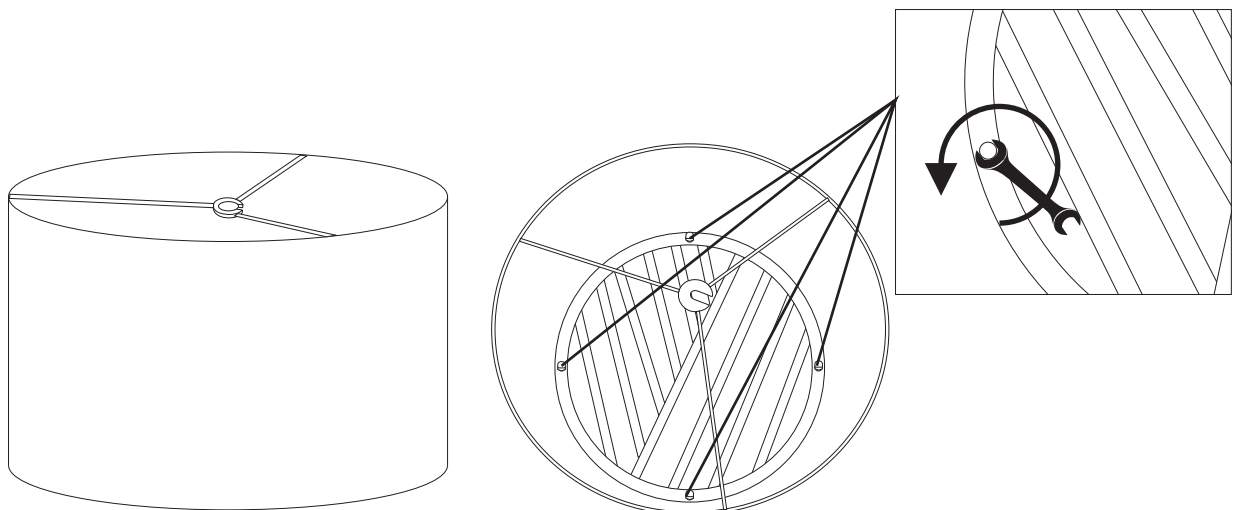
(B) Rattan Base



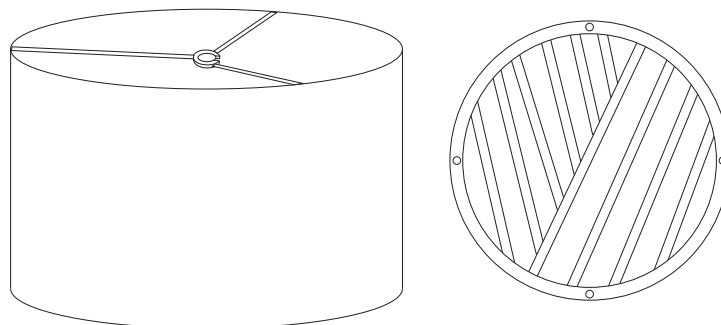
(C) Screws



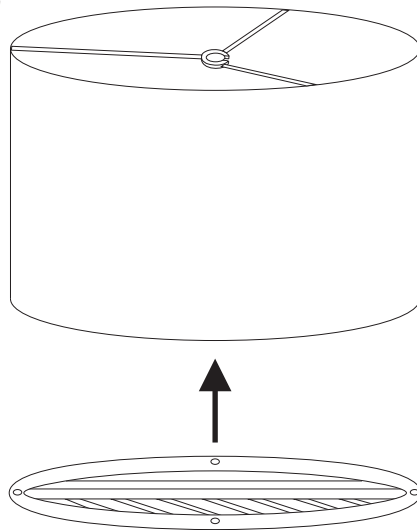
(D) Wrench



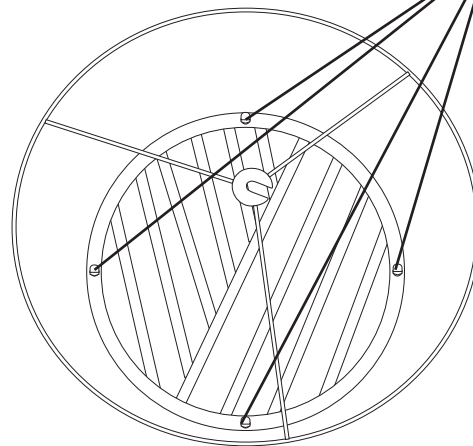
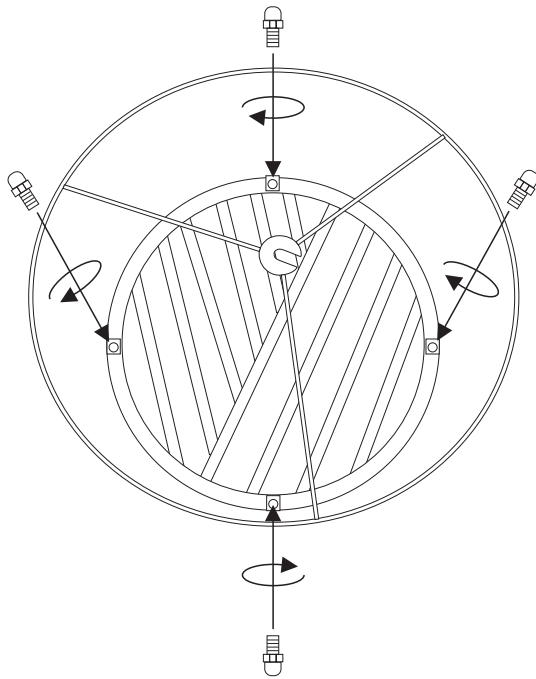
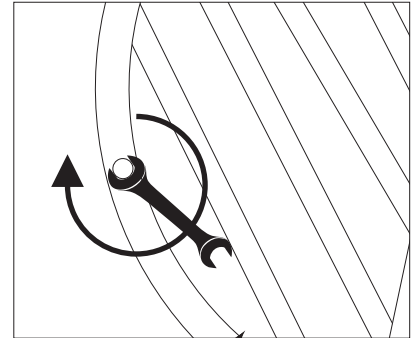
Step 1: Unscrew all 4 Screws (C) from old shade (A) in anti-clockwise direction using wrench (D).



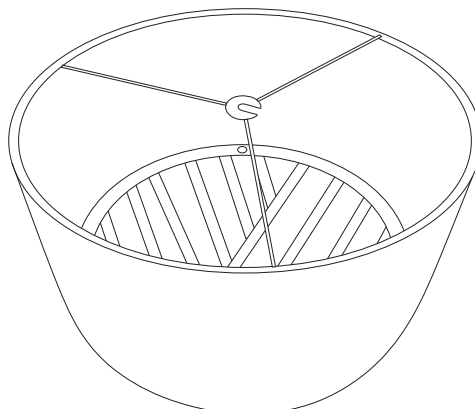
Disassembled Parts (A) & (B).



Step 2: Align rattan base (B) to the centre of new shade (A).



Step 3: Now, Tighten screws (C) on all 4 sides in clockwise direction by using wrench (D).



New assembled Shade.